

HELIO BASIN DATA SHEET

CONSTRUCTION

The Helio Basin is constructed and turned from solid teak and is designed to stand on a suitable worktop, held in position by the waste fitting and a brass lock nut.

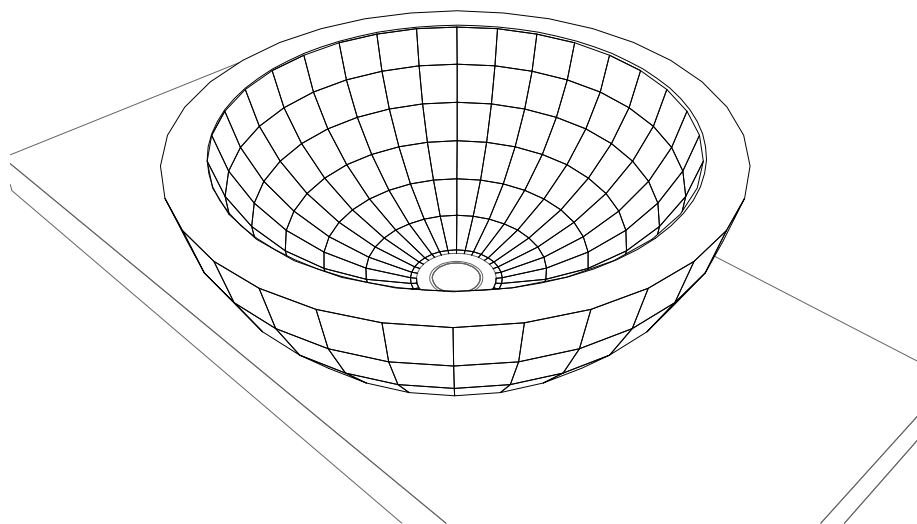
PLUMBING CONNECTIONS

Helio Basins are fitted with a standard 1/4" chrome Presflo (chainless) waste compatible with standard basins traps.

CARE & MAINTENANCE

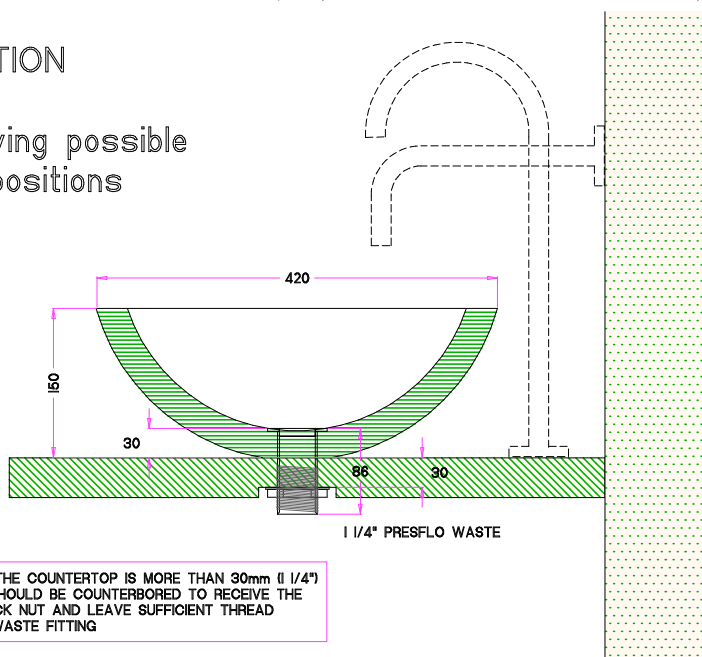
Helio basins are polished with Timbertect PlusTM. This is an epoxy resin sealant which sinks into the timber and fuses with it, forming an exceptionally tough layer which will not absorb stains and which is straightforward to clean with standard non-abrasive bathroom and kitchen cleaners. Products containing bleach should be avoided as they may lighten the timber unevenly. Further information on care and maintenance is provided with the basin.

TM Triple-C Products



SECTION

showing possible tap positions



NOTE: IF THE COUNTERTOP IS MORE THAN 30mm (1 1/4") THICK IT SHOULD BE COUNTERBORED TO RECEIVE THE BRASS LOCK NUT AND LEAVE SUFFICIENT THREAD FOR THE WASTE FITTING

DIMENSIONS	
Diameter	420mm 16.5"
Height	150mm 6"
Wall thickness	34mm 1 1/4"
Crated weight	6 kg 13lbs
Crated size	630x530x300 25x21x12"

OUR BASINS CAN BE MADE TO INDIVIDUAL SIZES.
PLEASE CONTACT US TO DISCUSS YOUR REQUIREMENTS.